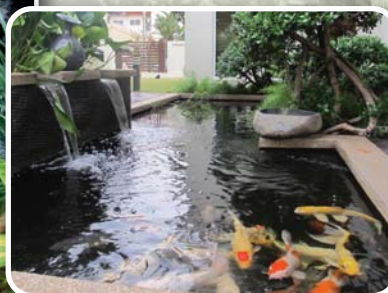




Submersible Pump - Semi Vortex Impeller

Type DWVG

- ✓ Compact, Light weight
- ✓ Easy installation and service
- ✓ Tough and robust design
- ✓ Anti-rust, Anti-corrosion materials used
- ✓ Allow solid passage of 35mm Ø

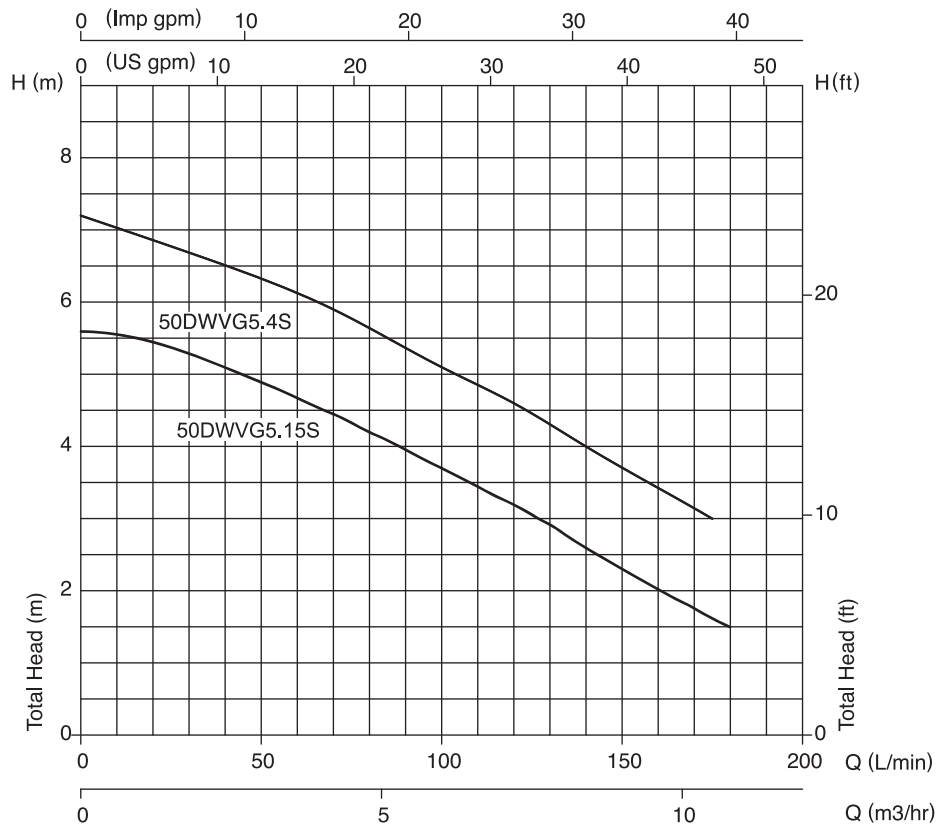


FEATURES / BENEFITS

- **Robust & Tough**
 - High performance engineering resin being used for pump casing and impeller; thus enhance long operating life of pump.
- **Anti-rust**
 - As anti-rusting materials are used in contact with liquid, thus ensure easy maintenance and long lasting operation.
- **Large Solid Passage**
 - Utilize semi-vortex type of impeller permit max. 35mm \varnothing solid passage; therefore enhance passage capabilities i.e. anti-clogging.
- **Easy Installation**
 - 50mm companion flange supplied as standard, for easy installation.



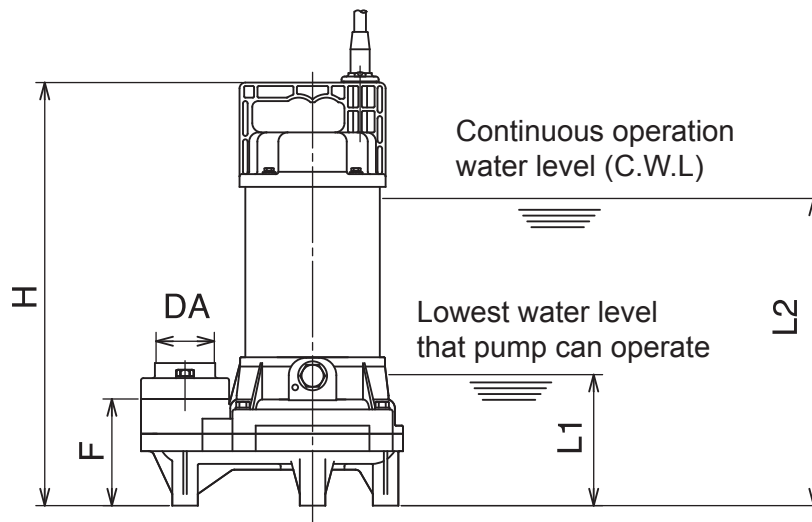
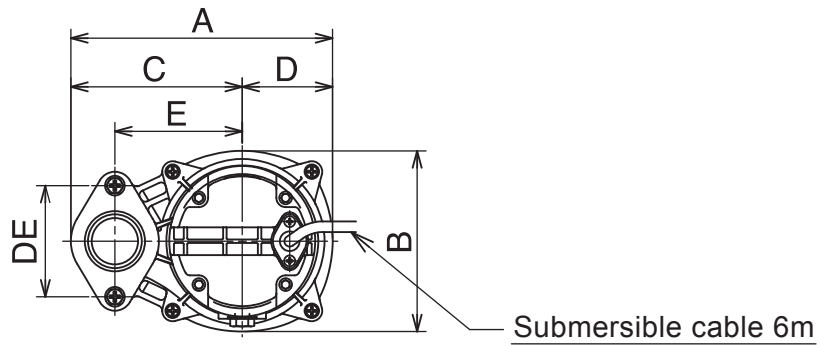
PERFORMANCE CHART



SPECIFICATIONS

		50DWVG5.15S	50DWVG5.4S
Liquid	Type	Sewage water (pH 5-9)	Sewage water (pH 5-9)
	Maximum temperature	40°C	40°C
	Max. Diameter of Solid Passage	35mm	35mm
Max. Submergence		4m	4m
Construction	Impeller	Semi - Vortex	Semi - Vortex
	Mechanical Seal	Oil Lubricated, double mechanical seal	Oil Lubricated, double mechanical seal
Materials	Casing	Engineering resin	Engineering resin
	Impeller	Engineering resin	Engineering resin
	Intermediate Casing	Engineering resin	Engineering resin
	Shaft	403 Stainless Steel	304 Stainless Steel / Carbon Steel
	Motor Frame	304 Stainless Steel	304 Stainless Steel
	Mechanical Seal	Upper Faces : Carbon / Ceramic Lower Faces : Silicon Carbide / Silicon Carbide Lubricating Oil : Turbine Oil VG32 (SAE 10W/20W)	Upper Faces : Carbon / Ceramic Lower Faces : Silicon Carbide / Silicon Carbide Lubricating Oil : Turbine Oil VG32 (SAE 10W/20W)
Motor	Type	Air filled dry submersible, IP68	Air filled dry submersible, IP 68
	Insulation class	Class E insulation	Class E insulation
	Synchronous Speed	2 Pole 3000min ⁻¹	2 Pole 3000min ⁻¹
	Voltages	240 Volts, 0.15kW	240 Volts, 0.4kW
	Phase	Single Phase	Single Phase
	Frequency	50Hz	50Hz
	Starting	Capacitor - run	Capacitor - run
	Protection	In-built overload protection	In-built overload protection
Bearings	Pre lubricated sealed bearings	Pre lubricated sealed bearings	
Cable	Length	6m	6m
	Cable end	Discrete wires (without a plug)	Discrete wires (without a plug)
Connection		50mm companion flange (female thread)	50mm companion flange (female thread)

DIMENSION



NOTE:

To protect the motor from over-heating, the pump automatically repeats the run and stop, when operation at the level of L2 (C.W.L.) or less.

MODEL	OUTPUT kW	PHASE	FREQUENCY Hz	DIMENSIONS											WEIGHT Kg
				DA	A	B	C	D	E	F	H	DE	L1	L2	
50DWVG5.15S	0.15	SINGLE	50	50	210	144	138	72	100	87	360	96	113	265	6.3
50DWVG5.45S	0.4	SINGLE	50	50	226	156	148	78	110	92	360	96	113	265	8.0

* Dimensional details are provided for reference only.
 * All specifications are subject to change without prior notice.



EBARA Pumps Malaysia Sdn Bhd
 6, Jalan TP3, UEP Subang Jaya Industrial Park,
 47620 Subang Jaya, Selangor, Malaysia.
 Tel : 03-8023 6622 Fax : 03-8023 9355
 Email : sales@ebara.com.my
 Website : www.ebara.com.my



Certificate No. KLR 0500080
 Certificate No. KLR 6027651

Authorised dealer: