



## QUALITY Submersible Motor in AISI 304 Type OY6

The new series of 6" submersible motors OY6, have been designed and manufactured according to high level of QUALITY and RELIABILITY as applied on 4" submersible motors series OP4. Following the EBARA tradition, OY6 series is the result of advanced research and development that guarantee best performances and high reliability, in accordance with heavy duty performance needs.



### TECHNICAL FEATURES

- Submersible 6" motors cooled with dielectric non toxic coolant.
- Insulation: Class F
- Motor shaft extension and coupling according to Nema standard.
- Base and frame made of stainless steel.
- Shaft made in stainless steel and balanced.
- Optimised design of pressure equalising rubber diaphragm and sand prevention with sand slinger.
- Removable electric cable with watertight connector.
- Easily disassembly and re-windability.
- Suitable for 10000 N and 20000 N axial thrust.

### AVAILABLE MODELS

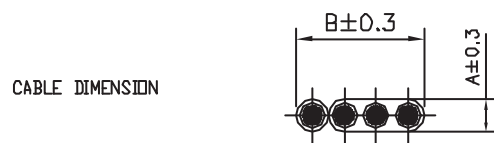
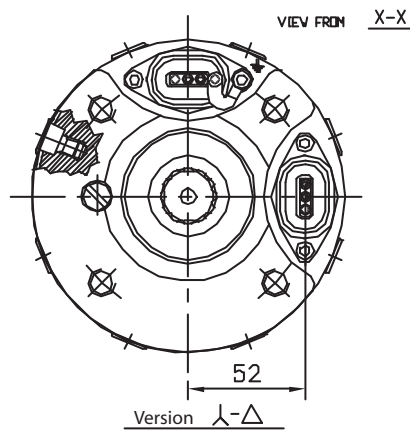
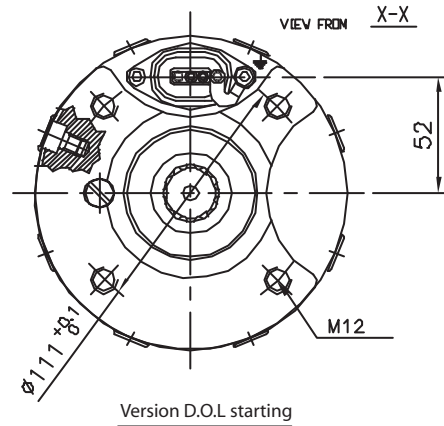
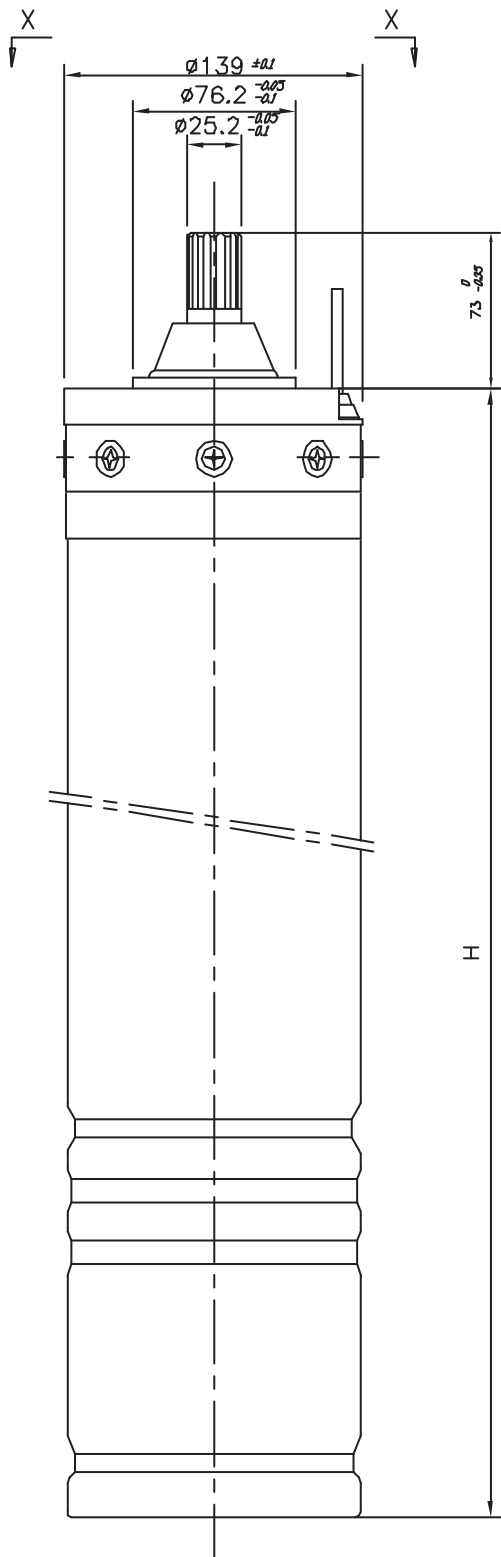
- Three-phase :  
- from 4 kW - 30kW, 3ph - 415V 50Hz

### TECHNICAL DATA 50Hz

Technical data for OY6 series Sumoto 6" motors - 50 Hz -															
Type	Thrust Load N	Weight Kg	H mm	kW	Hp	In Amp	I <sub>max</sub> Amp	RPM	Cos $\phi$	EFF%	Ts/Tn	A I start	In 660 Volt	R [ $\cdot$ ]	Nominal torque [Nm]
Three Phase 380/400/415V 50Hz	OY6 550 <sub>380</sub>					8.7	9.7	2850	0.84	78	2.3				13.40
	OY6 550 <sub>400</sub>	5000/10000	32	540	4	5.5	8.8	9.8	2860	0.82	76	2.4	45	2.50	13.35
	OY6 550 <sub>415</sub>						8.9	9.9	2870	0.8	74	2.6			13.30
	OY6 750 <sub>380</sub>						12.6	14.0	2850	0.84	77	2.8	7.3		18.42
	OY6 750 <sub>400</sub>	5000/10000	40	570	5.5	7.5	12.5	13.9	2860	0.82	78	3.0	64	1.90	18.36
	OY6 750 <sub>415</sub>						12.4	13.8	2870	0.80	77	3.0			18.30
	OY6 1000 <sub>380</sub>						17.2	19.1	2850	0.85	78	2.4	9.9		25.12
	OY6 1000 <sub>400</sub>	10000	42	600	7.5	10	16.9	18.8	2860	0.82	77	2.5	78	1.56	25.04
	OY6 1000 <sub>415</sub>						16.5	18.3	2870	0.82	77	2.8			24.95
	OY6 1250 <sub>380</sub>						22.0	24.4	2850	0.82	79	2.4	12.7		30.82
	OY6 1250 <sub>400</sub>	10000	45	600	9.2	12.5	21.5	23.9	2860	0.81	80	2.4	95	1.56	30.71
	OY6 1250 <sub>415</sub>						21.0	23.3	2870	0.79	78	2.6			30.61
	OY6 1500 <sub>380</sub>						24.1	26.8	2850	0.84	84	2.4	13.9		36.85
	OY6 1500 <sub>400</sub>	10000	48	700	11	15	23.7	26.3	2860	0.83	83	2.4	121	0.967	36.72
	OY6 1500 <sub>415</sub>						23.9	25.6	2870	0.80	80	2.4			36.60
	OY6 1750 <sub>380</sub>						28.0	30.0	2840	0.86	81	2.3	16.2		43.03
	OY6 1750 <sub>400</sub>	10000	50	700	12.8	17.5	27.8	29.7	2850	0.84	82	2.4	145	0.967	42.88
	OY6 1750 <sub>415</sub>						27.5	29.4	2860	0.82	81	2.4			42.73
	OY6 2000 <sub>380</sub>						31.4	33.6	2830	0.86	81	2.3	18.2		50.61
	OY6 2000 <sub>400</sub>	10000	54	760	15	20	30.4	32.5	2840	0.85	82	2.5	160	0.727	50.43
	OY6 2000 <sub>415</sub>						29.7	31.8	2860	0.84	81	2.5			50.08
	OY6 2500 <sub>380</sub>						41.5	44.4	2830	0.86	80	2.1	24.0		62.42
	OY6 2500 <sub>400</sub>	10000	65	830	18.5	25	38.3	41.0	2850	0.85	82	2.1	225	0.713	61.98
	OY6 2500 <sub>415</sub>						36.6	39.2	2860	0.82	83	2.2			61.76
	OY6 3000 <sub>380</sub>						46.5	49.8	2830	0.86	83	2.0	26.9		74.23
	OY6 3000 <sub>400</sub>	10000	70	890	22	30	44.0	47.1	2850	0.86	83	2.0	250	0.579	73.71
	OY6 3000 <sub>415</sub>						44.5	47.6	2860	0.84	82	2.1			73.45
	OY6 4000 <sub>380</sub>						63.0	67.4	2840	0.84	85	2.0	36.4		100.87
OY6 4000 <sub>400</sub>	20000	90	1030	30	40	62.0	66.3	2850	0.86	86	2.0	330	0.381	100.51	
OY6 4000 <sub>415</sub>						58.0	62.1	2860	0.88	86	2.0			100.16	
OY6 5000 <sub>380</sub>						74.0	79.2	2850	0.88	85	2.0	42.8		123.97	
OY6 5000 <sub>400</sub>	20000	101	1170	37	50	72.0	77.0	2860	0.87	86	2.0	400	0.33	123.53	
OY6 5000 <sub>415</sub>						71.0	76.0	2870	0.86	85	2.0			123.10	

DIMENSION

OY6"



Dimension - OY6 Motor								
Type	kW	Hp	Thrust load	H mm	Sez. mmq.	Cable		Weight kg
						A	B	
OYT 550	4	5.5	5000/10000 N	540	4	8	27	38
OYT 750	5.5	7.5	5000/10000 N	570	4	8	27	40
OYT 1000	7.5	10	5000/10000 N	600	4	8	27	42
OYT 1250	9.2	12.5	10000 N	600	4	8	27	45
OYT 1500	11	15	10000 N	700	4	8	27	48
OYT 1750	12.8	17.8	10000 N	700	4	8	27	50
OYT 2000	15	20	10000 N	760	4	8	27	54
OYT 2500	18.5	25	10000 N	830	8	8	27	65
OYT 3000	22	30	10000 N	890	8	8	27	70
OYT 4000	29.5	40	20000 N	1030	8	8	27	90
OYT 5000	37	50	20000 N	1170	8	8	27	101

\*All specifications are subject to change without prior notice.



**EBARA Pumps Malaysia Sdn Bhd**  
 6, Jalan TP3, UEP Subang Jaya Industrial Park,  
 47620 Subang Jaya, Selangor, Malaysia.  
 Tel : 03-8023 6622 Fax : 03-8023 9355  
 Email : sales@ebara.com.my  
 Website : www.ebara.com.my



Certificate No. KLR 0500080  
 Certificate No. KLR 6027651

Authorised dealer: