

QUALITY IN-LINE PUMP

Model **LPDA**

APPLICATIONS



Water supply



Hot, cold water
circulation



Cooling tower



Hot water
supply

FEATURES

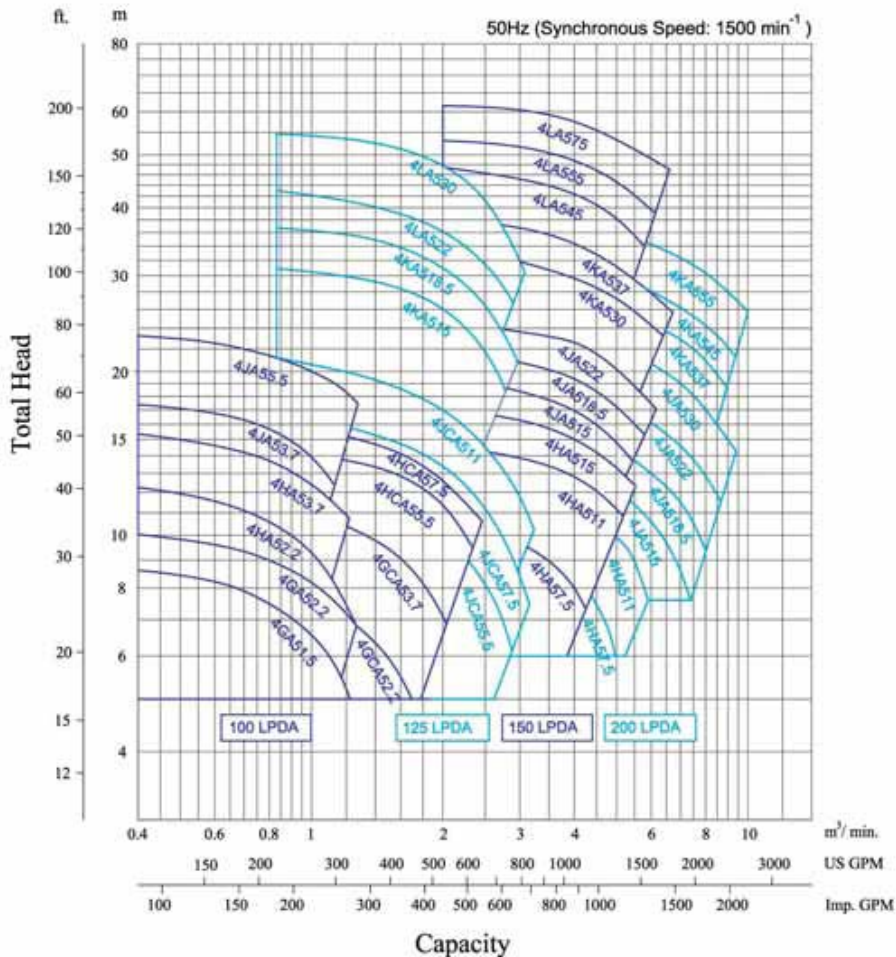
- The four-pole and low speed motor makes the pump compact, lightweight and minimize installation space.
- Less floor space required for installation.
- No alignment required.
- Easy maintenance (V.P.O) Vertical Pull Out.
- High allowable temperature (Max.100°C) and high suction pressure (Max.0.69MPa) are available.
- Sealed ball bearing eliminates need of lubrication.
- Mechanical seal ensure no leakage pumping operation.

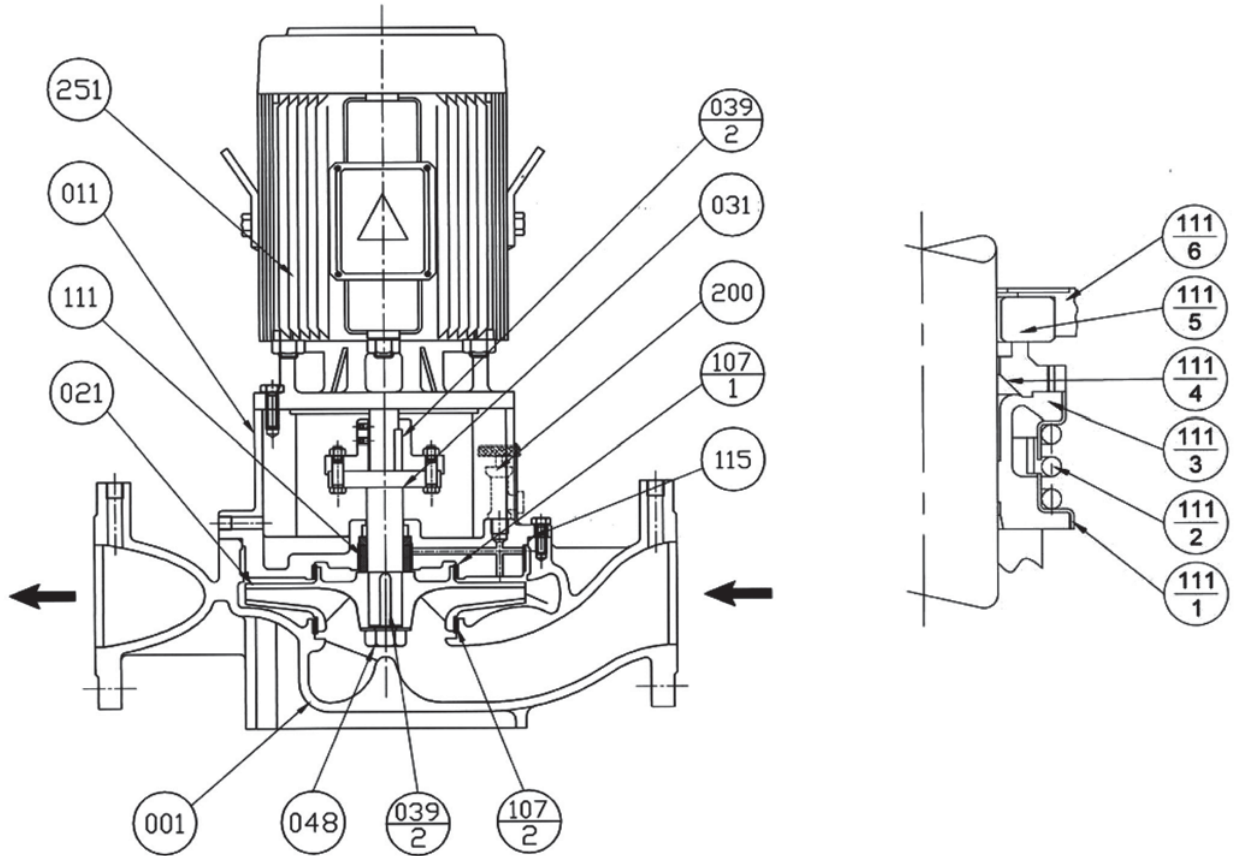


SPECIFICATIONS

Description		Standard	Option
Liquid handled	Type of liquid	Fresh Water	
	Temperature	0 ~ 100 °C	
Max. Positive suction pressure		10 bar	16 bar
Max. Discharge pressure		16 bar	20 bar
Approximation speed		1450 min ⁻¹	1750 min ⁻¹
Location		Indoor / Outdoor	
Covering Range	Suction Dia.	100 to 200 mm	
	Flow rate	24 to 600 m ³ /h	
	Power	1.5 to 75 kW	
Construction	Pump type	Inline	
	Casing split	Vertical pull out	
	Impeller	Enclosed	
	Shaft seal	Mechanical seal	
	Shaft	Stub shaft	
	Sealing	Self flushing	External flushing
Material	Casing	Cast Iron	Ductile cast iron; Bronze
	Impeller	Bronze	
	Shaft	SUS 304 stainless steel	
	Mech. Seal	Ceramic / Carbon	SiC/Carbon; SiC/SiC
Flanges	Motor casing	Aluminum	Cast Iron
	Suction	DIN PN-16	JIS 16 KRF; ANSI 250
Flanges	Discharge	DIN PN-16	JIS 16 KRF; ANSI 250
	Type	IEC Standard, Flange Mounted type	NEMA Standard, Flange Mounted type
Motor	No. of pole	4	
	Synchr. speed	1500 min ⁻¹	1800 min ⁻¹
	Insulation class	F	
	Protection	IP 54 / IP 55	
	Volt/ Phase/ Hz	415V / 3 Phase / 50 Hz	440V / 3 Phase / 60 Hz

PERFORMANCE CHART





Part no.	Part Name	Material	Qty
251	Electric Motor	-	1
200	Air Vent Valve	-	1
115	"O" Ring	NBR	1
111	Mechanical Seal	-	1
107	Liner Ring	BC 6	2
048	Impeller Nut	CAC	1
039-2	Key	SUS 316	1
039-1	Key	S35C	1
031	Stub Shaft	SUS 304	1
021	Impeller	BC 6	1
011	Casing Bracket	FC 250	1
001	Casing	FC 250	1

Part no.	Part Name	Material	Qty
111-6	Cup Gasket	NBR	1
111-5	Mating Ring	Ceramic	1
111-4	Seal Ring	Carbon	1
111-3	Bellows	NBR	1
111-2	Spring	Stainless	1
111-1	Spring Holder	Steel	1

**DIRECT MOUNTING ON PIPE
(BELOW 3KW)**

Motor horizontal / Horizontal motor

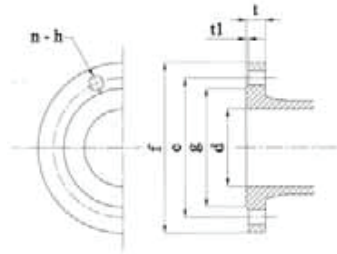
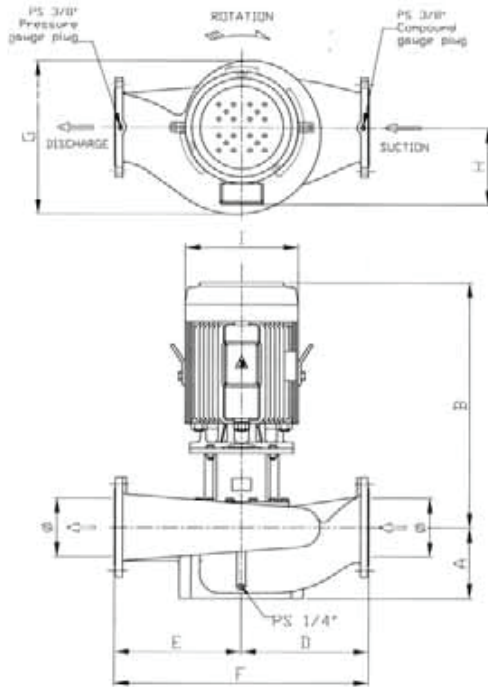


Motor vertical
Vertical motor



**DIRECT MOUNTING ON
BASEPLATE
(ABOVE 3.7KW)**





d mm	e mm	f mm	g mm	t mm	t1 mm	n mm	h mm
100	180	220	153	25	3	8	19
125	210	250	183	25.5	3	8	19
150	240	285	209	26	3	8	23
200	295	340	264	27.5	3	12	23

Unit: mm

SIZE (mm)	Model	Output (kW)	Frame Size	A	B	D	E	F	G	H	I	Weight kg
100	100 LPD4GA	1.5	90L	130	507.5	235	235	470	282	170	200	70
		2.2	100L		180					219	80	
	100 LPD4HA	2.2	100L	130	494.5	265	265	530	307	180	219	93
		3.7	112M		189					238	104	
		3.7	112M		551					189	238	120
100 LPD4JA	5.5	132S	130	580	280	280	560	353	224	273	138	
	5.5	132S		224					273	138		
125	125 LPD4GCA	2.2	100L	160	494.5	240	240	480	282	180	219	82
		3.7	112M		551					189	238	93
	125 LPD4HCA	5.5	132S	160	574	265	265	530	307	224	273	126
		7.5	132M		612					224	273	140
	125 LPD4JCA	5.5	132S	160	574	300	300	600	424	224	273	197
		7.5	132M		612					224	273	212
		11	160M		734					263	334	250
	125 LPD4KA	15	160L	160	777	350	350	700	465	263	334	274
		18.5	180MC		797					305	382	314
	125 LPD4LA	22	180LC	160	870	400	400	800	517	305	382	407
30		200LC	966		374					420	480	
30		200LC	966		374					420	480	
150	150 LPD4HA	7.5	132M	200	632	350	350	700	429	224	273	193
		11	160M		753					263	334	230
		15	160L		797					263	334	248
	150 LPD4JA	15	160L	200	777	400	400	800	473.5	263	334	268
		18.5	180MC		797					305	382	308
	150 LPD4KA	22	180LC	200	835	400	400	800	531	305	382	340
		30	200LC		966					374	420	457
		37	225SC		1054					427	458	506
	150 LPD4LA	45	225MC	200	1073	450	450	900	580	427	458	580
		55	250SC		828.5					493	510	705
75		250MC	866.5		493					510	780	
200	200 LPD4HA	5.5	132S	230	574	430	430	860	473.5	224	273	216
		7.5	132M		612					224	273	230
		11	160M		733					263	334	269
	200 LPD4JA	15	160L	245	812	430	430	860	523	263	334	328
		18.5	180MC		832					305	382	368
		22	180LC		870					305	380	400
		30	200LC		966					374	420	474
	200 LPD4KA	37	225SC	240	1011	450	450	900	567	427	458	553
		45	225MC		1036					427	458	577
		55	250SC		1113.5					493	510	700

*All specifications are subject to change without prior notice.



EBARA Pumps Malaysia Sdn Bhd

6, Jalan TP3, UEP Subang Jaya Industrial Park,
47620 Subang Jaya, Selangor, Malaysia.

Tel : 03-8023 6622 Fax : 03-8023 9355

Email : sales@ebara.com.my

Website : www.ebara.com.my



Certificate No. KLR 0500080
Certificate No. KLR 6027651

Authorised dealer: