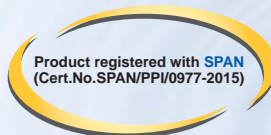
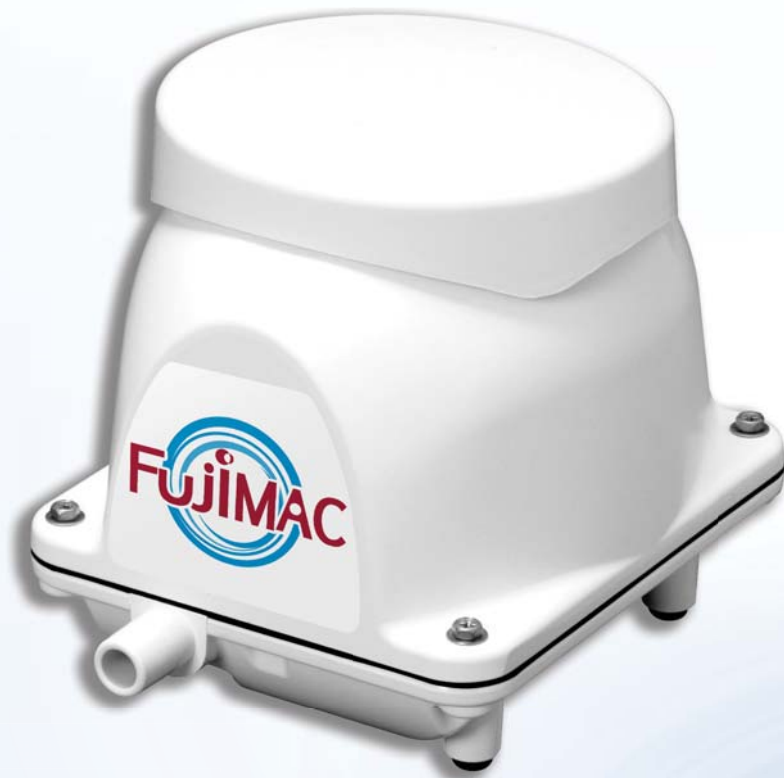


FUJIMAC AIR PUMP

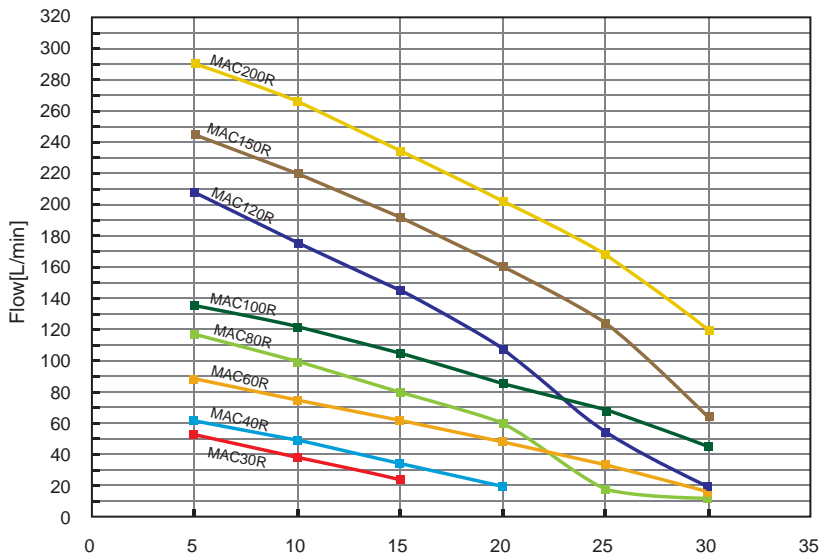


Fujimac Air pump has a simple structure, easy and simple for maintenance and with silent operation.

- **Long life operation**
- **Energy efficient**
- **Easy maintenance**
- **Silent operation**

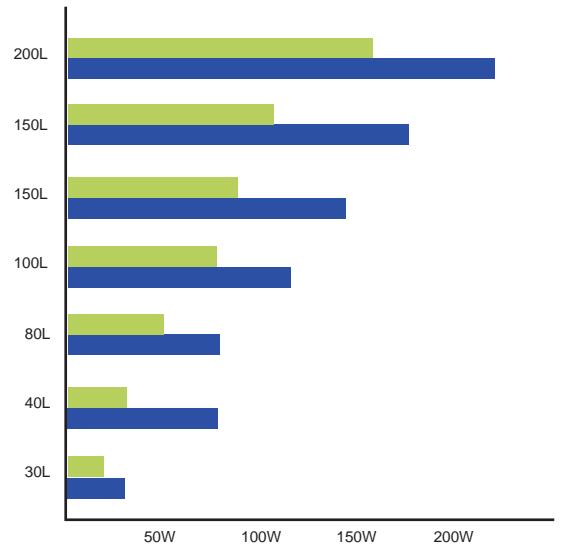


Performance Curve



- MAC30R (suggested Pressure 12-16kPa)
- MAC40R (suggested Pressure 12-16kPa)
- MAC60R (suggested Pressure 12-18kPa)
- MAC80R (suggested Pressure 12-18kPa)
- MAC100R (suggested Pressure 14-22kPa)
- MAC120R (suggested Pressure 14-22kPa)
- MAC150R (suggested Pressure 16-24kPa)
- MAC200R (suggested Pressure 16-24kPa)

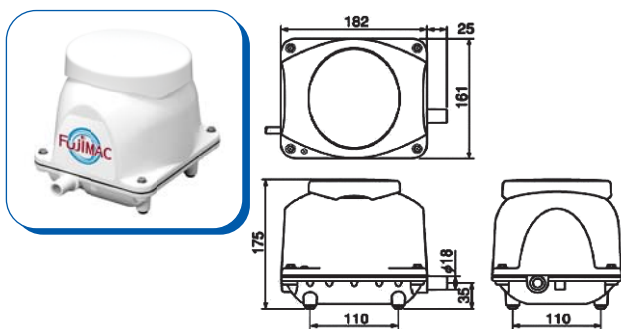
Power Consumption



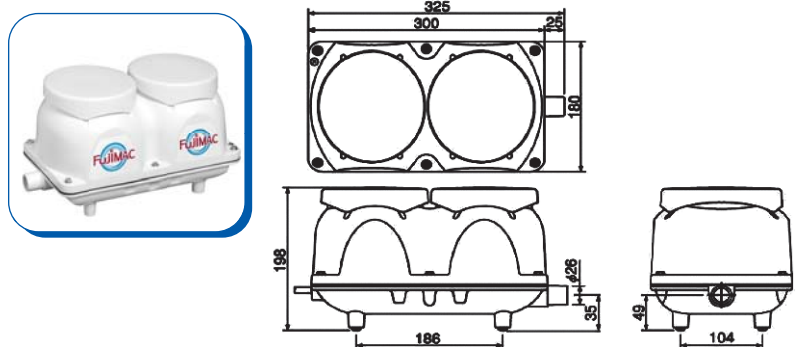
Specifications

Model Name	MAC30R	MAC40R	MAC60R	MAC80R	MAC100R	MAC120R	MAC150R	MAC200R
Air Flow Volume	30L/min	40L/min	60L/min	80L/min	100L/min	120L/min	150L/min	200L/min
Normal Pressure	12kPa		15kPa		18kPa		20kPa	
Outlet diameter	13mm(external dia. 18mm)					20mm(external dia. 26mm)		
Weight	4.5kg		5.0kg		8.5kg	9.0kg		
Electricity Consumption	21W	34W	45W	53W	80W	91W	115W	160W
Power cable	1.5m							

MAC30R / MAC40R / MAC60R / MAC80R / MAC100R



MAC120R / MAC150R / MAC200R



* All specifications are subject to change without prior notice.

Manufactured by :



FUJI CLEAN CO., LTD. JAPAN

Agent :

PUMPERA Sdn Bhd

26 & 28, Jalan Kapar 27/89, Megah Industrial Park,
Seksyen 27, 40400 Shah Alam, Selangor, Malaysia.
Tel : 03-5192 2828 Fax : 03-5192 6822

Email : sales@pumpera.com.my

Website : www.pumpera.com.my

Distributed by :

