



Stainless Steel Vertical Multi-stage Centrifugal Pump Large Capacity Series Type EVMR (50Hz)

APPLICATIONS

Water Supply and Pressure Boosting

- Buildings, hotel, residential complexes, condominium or serviced apartments
- Municipal water supply system
- Industrial water supply

Irrigation and Agriculture

- Greenhouse
- Sprinkler irrigation
- Field irrigation

Light Industry

- Washing and cleaning systems
- Car washing facilities
- Fire fighting systems
- Process water system
- Machine tools
- Boiler feed or other industrial operations

Water Treatment

- Water softeners and de-mineralization
- Reverse Osmosis systems
- Distillation systems
- Filtration
- Ultra-filtration systems



Large Capacity Series

Mounting "Top runner motor" on "High efficiency pump".

Energy Saving

Superior overall efficiency due to utilisation of high efficiency pump and motor.

Space Saving

Approx. 1/4 foot-print of horizontal multi-stage pump.

- Large capacity series have 3 options: materials in contact with liquid: Cast iron/SUS304, SUS304 and SUS316.
- Easy installation of pipings due to in-line type.
- Pump can be disassembled/reassembled without removal of suction/discharge pipes.

Top Runner Motor

TEFC, IP44 (Outdoor type)

Protector (upgrading safety)

To prevent rotating part from exposing.

High efficiency pump

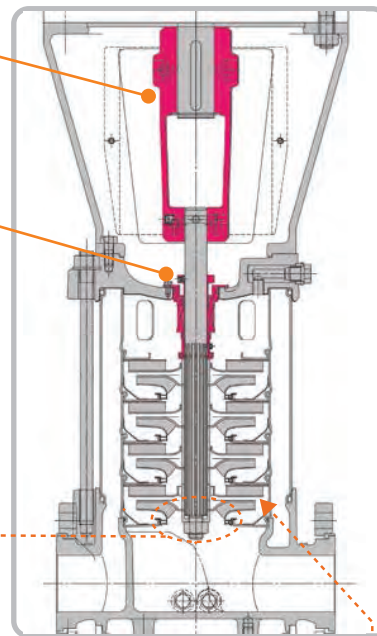


Spacer Coupling

Maintenance for mechanical seal is possible without removal of motor.

Catridge Type Mechanical Seal

Maintenance for mechanical seal is possible without disassembly of pump. (applicable for all models)



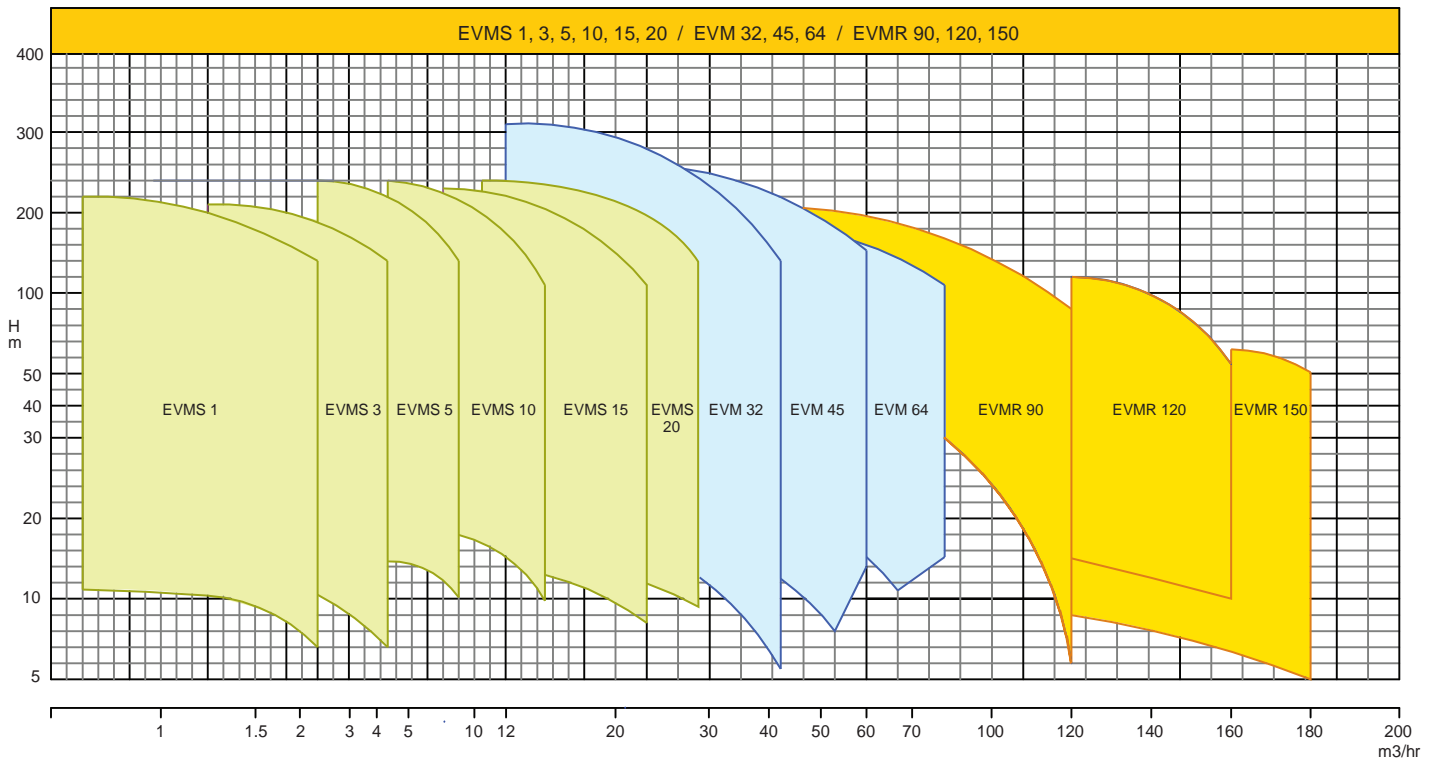
Floating type of liner ring minimizes leakage from impeller discharge side to suction side.

Impeller and Intermediate casing (guide vane) are designed based on Ebara's own analysis method, thus high pump efficiency has been achieved.



PERFORMANCE CHART

50Hz

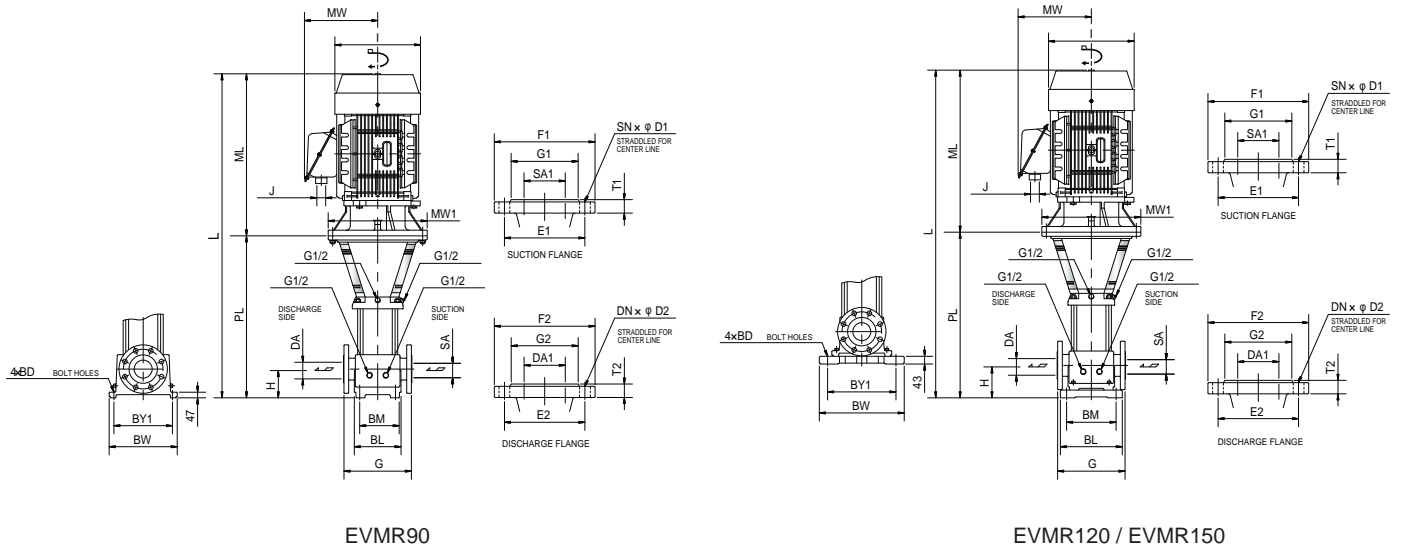


PUMP TYPE

Size	*Model	Nos. of impeller	Output kW	Capacity m³/hr	Total Head (m)	Capacity m³/hr	Total Head (m)	Allowable Working Pressure MPa (kgf/cm²)
90	EVMR90 2-2F5/11	2	11	45	43.2	108	16.9	1.13 {11.5}
	EVMR90 2-0F5/15	2	15		55.8		31.7	0.93 {9.5}
	EVMR90 3-2F5/18.5	3	18.5		71.8		35.3	0.82 {8.3}
	EVMR90 3-0F5/22	3	22		85.7		50.4	0.60 {6.1}
	EVMR90 4-2F5/30	4	30		103.2		55.2	0.47 {4.8}
	EVMR90 4-0F5/30	4	30		116.2		70.0	0.28 {2.8}
	EVMR90 5-2F5/37	5	37		132.7		73.7	1.33 {13.6}
	EVMR90 5-0F5/37	5	37		146.0		88.4	1.13 {11.6}
	EVMR90 6-2F5/45	6	45		163.7		93.8	1.01 {10.3}
	EVMR90 6-0F5/45	6	45		177.6		108.8	0.79 {8.1}
120	EVMR120 1-0F5/11	1	11	60	25.5	138	15.2	2.52 {25.7}
	EVMR120 2-1F5/18.5	2	18.5		45.1		26.4	2.31 {23.6}
	EVMR120 2-0F5/22	2	22		53.6		34.3	2.22 {22.7}
	EVMR120 3-0F5/30	3	30		80.8		53.2	1.94 {19.8}
	EVMR120 4-1F5/37	4	37		100.8		64.8	1.73 {17.7}
	EVMR120 5-1F5/45	5	45		129.0		84.8	1.44 {14.7}
150	EVMR150 1-1F5/11	1	11	75	18.1	168	7.9	2.58 {26.4}
	EVMR150 1-0F5/15	1	15		26.1		14.9	2.49 {25.4}
	EVMR150 2-1F5/22	2	22		45.9		26.8	2.28 {23.3}
	EVMR150 3-2F5/30	3	30		65.5		39.1	2.05 {21.0}
	EVMR150 3-0F5/37	3	37		82.1		53.9	1.87 {19.1}
	EVMR150 4-1F5/45	4	45		102.8		67.0	1.64 {16.8}

Note : * Please insert G, L or nothing for EVMRG, EVMRL, EVMR respectively.
For EVMS 1,3,5,10,15,20 and EVM 32,45,64, please refer to EBARA sales office for details.

DIMENSION (Large Capacity Series)



EVMR90

EVMR120 / EVMR150

Unit: mm

Size	*Model	Nos. of impeller	Output KW	Pump and Motor																	Weight kg			
				H	PL	ML	L	G	I	MW	MW1	J	BM	BL	BY1	BW	F1/F2	G1/G2	SA/DA SA1/DA1	E1/E2	D1/D2	T1/T2	BD	EVMLR EVMR
90	EVMR90 2-2F5/11	2	11	140	778	570	1348	380	324	280	350	G11/2	199	263	280	346	225	100	185	23	24	14	223	233
	EVMR90 2-0F5/15	2	15		778	614	1392		324	280	350	G11/2											247	257
	EVMR90 3-2F5/18.5	3	18.5		870	614	1484		324	280	350	G11/2											278	288
	EVMR90 3-0F5/22	3	22		870	640	1510		400	386	350	G2											313	324
	EVMR90 4-2F5/30	4	30		962	678	1640		400	386	350	G3											401	412
	EVMR90 4-0F5/30	4	30		962	678	1640		400	386	350	G3											401	412
	EVMR90 5-2F5/37	5	37		1054	706	1760		452	411	400	G3											457	467
	EVMR90 5-0F5/37	5	37		1054	706	1760		452	411	400	G3											457	467
	EVMR90 6-2F5/45	6	45		1146	786	1932		441	410	400	G3											536	546
EVMR90 6-0F5/45	6	45	1146	786	1932	441	410	400	G3	536	546													
120	EVMR120 1-0F5/11	1	11	180	837	570	1407	380	324	280	350	G11/2	275	344	380	472	270	125	225	25	26	18	243	259
	EVMR120 2-1F5/18.5	2	18.5		993	614	1607		324	280	350	G11/2											303	319
	EVMR120 2-0F5/22	2	22		993	640	1633		400	386	350	G2											342	358
	EVMR120 3-0F5/30	3	30		1149	678	1827		400	386	350	G3											431	447
	EVMR120 4-1F5/37	4	37		1304	706	2010		452	411	400	G3											490	506
	EVMR120 5-1F5/45	5	45		1463	786	2249		441	410	400	G3											574	590
150	EVMR150 1-1F5/11	1	11	180	837	570	1407	380	324	280	350	G11/2	275	344	380	472	270	125	225	25	26	18	232	259
	EVMR150 1-0F5/15	1	15		837	614	1451		324	280	350	G11/2											256	283
	EVMR150 2-1F5/22	2	22		993	640	1633		400	386	350	G2											338	354
	EVMR150 3-2F5/30	3	30		1148	678	1826		400	386	350	G3											431	447
	EVMR150 3-0F5/37	3	37		1148	706	1854		452	411	400	G3											479	495
	EVMR150 4-1F5/45	4	45		1308	786	2094		441	410	400	G3											563	579

Note : * Please insert G, L or nothing for EVMRG, EVMRL, EVMR respectively.
Weight is approximate.

* Dimensional details are provided for reference only.

* All specifications are subject to change without prior notice.



EBARA Pumps Malaysia Sdn Bhd

6, Jalan TP3, UEP Subang Jaya Industrial Park,

47620 Subang Jaya, Selangor, Malaysia.

Tel : 03-8023 6622 Fax : 03-8023 9355

Email : sales@ebara.com.my

Website : www.ebara.com.my



Certificate No. KLR 0500080
Certificate No. KLR 6027651

Authorised dealer: