



## QUALITY Stainless Steel Centrifugal Pump Type DWC

### APPLICATIONS

- Chillers
- Refrigeration
- Conditioning and heating
- Transferring of industrial liquids
- Domestic and industrial water supply
- Irrigation
- Swimming pools
- Washing systems
- Drainage



### FEATURE / BENEFIT

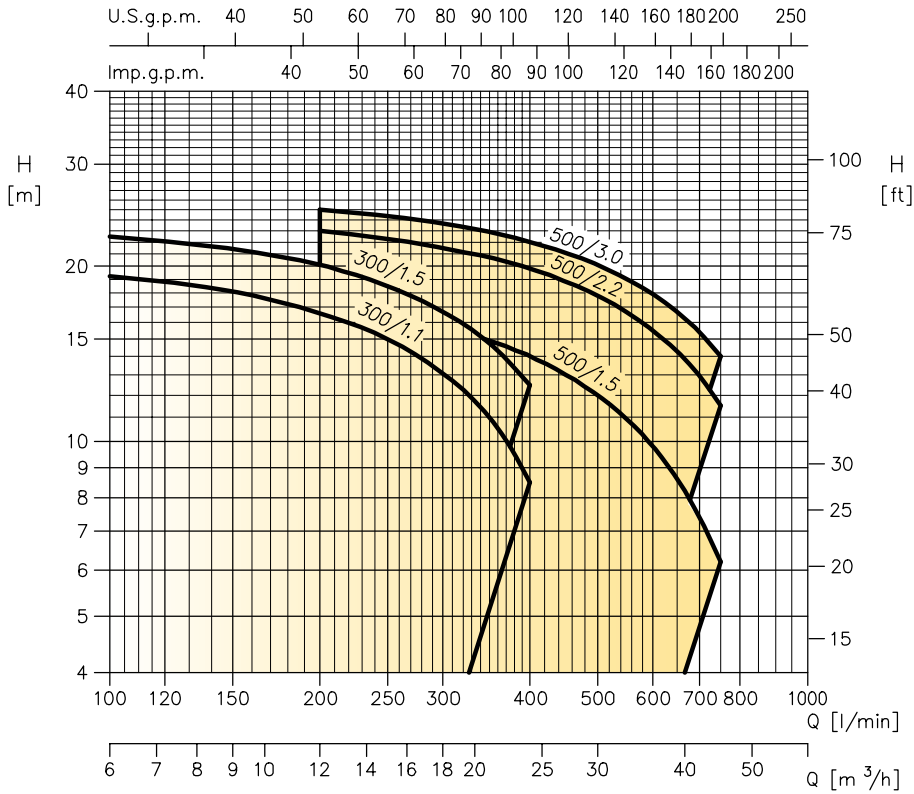
- Hydraulic robust construction, enhance pumping operation.
- High performance and efficiency design, thus energy saving.
- Ebara exclusive patent for hydraulic volute obtained from hydro-forming process.
- EPDM mechanical seal and elastomers as standard.
- Connections: - Female thread G2  
- Hose-union
- Stainless steel AISI304 for all wetted parts ensure long lasting operation.

### SPECIFICATION

PUMP		
Liquid Handled	Type of liquid	Clean water, moderate aggressive fluids, glycol solutions, other industrial fluids (kindly contact Ebara for details)
	Temperature [°C]	-15°C ÷ +90°C +110°C version H
Maximum working pressure	[MPa]	0.8
Construction	Impeller	Closed centrifugal type
	Shaft seal type	Mechanical seal
	Bearing	Sealed ball bearing
Pipe Connection	Suction	G 2
	Discharge	G 2
Material	Casing	EN 1.4301 (AISI 304)
	Impeller	EN 1.4301 (AISI 304)
	Casing cover	EN 1.4301 (AISI 304)
	Shaft seal	Ceramic/Carbon/EPDM
	Casing cover	EN 1.4301 (AISI 304)
	Shaft	EN 1.4301 (AISI 304) (Part in contact with liquid)
	Bracket	Aluminium
Motor TEFC	Motor Type	TEFC / Sq. cage Class F, IP55, 2 Pole 3 Ph / 50 Hz / 400 v ± 10%
Applicable standard of test		ISO 9906 – Annex A

# Stainless Steel Centrifugal Pump

DWC



Quality AISI304 components



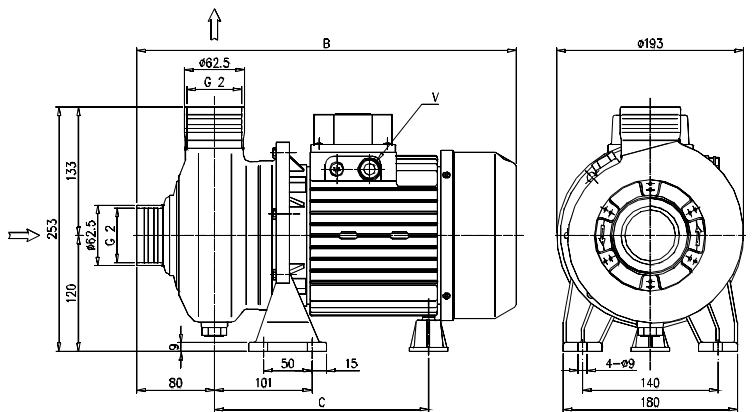
2" connection (standard)  
\*Vitaalic connection available as option.

## PERFORMANCE TABLE

Pump Type Three-phase	Power		Current in [A] 3 Ph/400 V		Q=Capacity												
	kW	HP	Full Load Current	Locked Rotor Current	l/min	0	100	150	200	250	300	350	400	500	600	700	750
					m <sup>3</sup> /h	0	6	9	12	15	18	21	24	30	36	42	45
H=Total head in meters																	
DWC 300/1.1	1.1	1.5	2.5	13.7		21.0	19.2	18.1	16.6	15.0	13.1	11.0	8.5	-	-	-	-
DWC 300/1.5	1.5	2	3.2	20.6		24.5	22.5	20.1	18.5	16.7	14.6	14.6	12.0	-	-	-	-
DWC 500/1.5	1.5	2	3.4	22.2		18.5	-	-	17.0	16.4	15.7	14.9	14.0	12.0	9.8	7.4	6.2
DWC 500/2.2	2.2	3	4.8	37.3		24.5	-	-	23.0	22.3	21.5	20.7	19.8	17.8	15.5	13.0	11.5
DWC 500/3.0	3	4	5.6	57.6		26.3	-	-	25.0	24.4	23.7	22.9	22.0	20.0	17.6	15.0	13.6

## DIMENSION

PUMP TYPE	DIMENSIONS [mm]			WEIGHT [kg]
	B	C	V	
DWC 300/1.1	371.5	197.5	PG11	13.6
DWC 300/1.5	371.5	197.5	PG11	14.2
DWC 500/1.5	371.5	197.5	PG11	15
DWC 500/2.2	392	221.5	PG13.5	17.1
DWC 500/3.0	392	221.5	PG13.5	20



\*All specifications are subject to change without prior notice.



**EBARA Pumps Malaysia Sdn Bhd**  
 6, Jalan TP3, UEP Subang Jaya Industrial Park,  
 47620 Subang Jaya, Selangor, Malaysia.  
 Tel : 03-8023 6622 Fax : 03-8023 9355  
 Email : sales@ebaracom.my  
 Website : www.ebaracom.my



Authorised dealer: